



Product Data Sheet

C29 Cable

Cables & Connectors

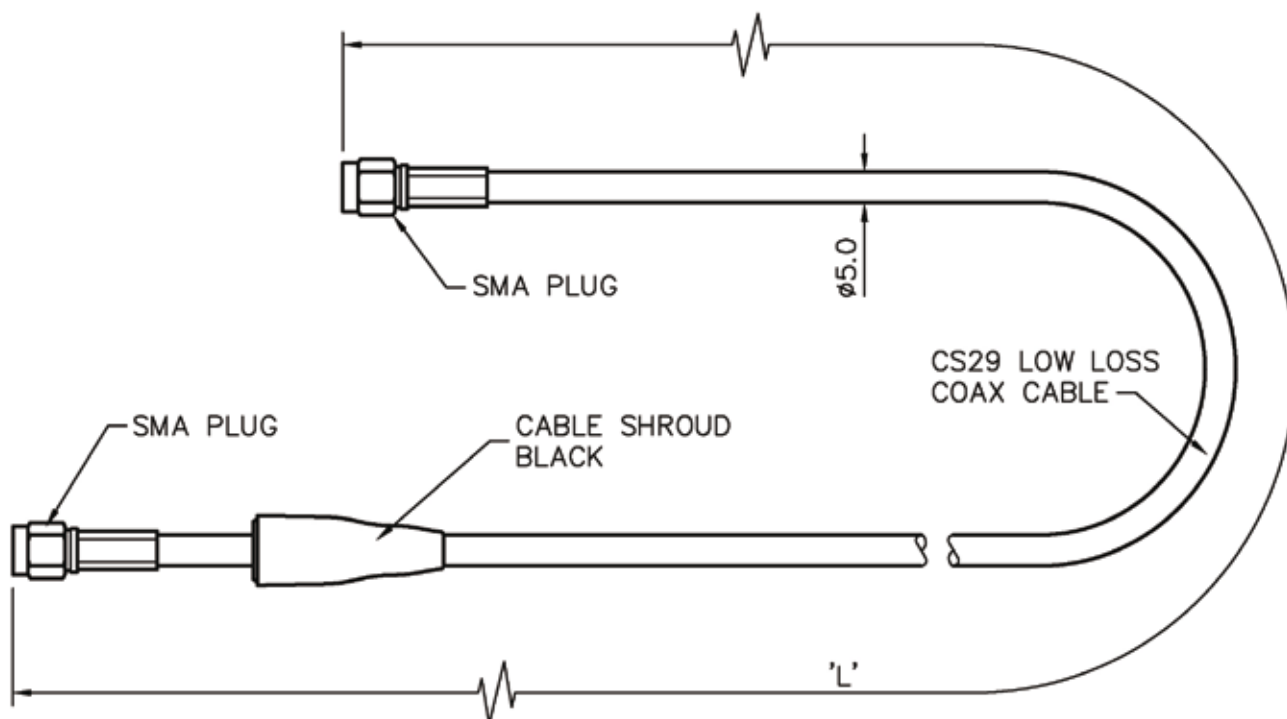
C29 Cable

C29SP - 5 SJ

Low loss cable



Technical Drawing



Cables & Connectors

C29 Cable

Part No.	C29SP-2SJ	C29SP-3SJ	C29SP-5SJ	C29SP-10SJ
Cable Data				
Type	CS29	CS29	CS29	CS29
Impedance	50Ω ± 2Ω at 1GHz 50Ω ± 4Ω at 2GHz	50Ω ± 2Ω at 1GHz 50Ω ± 4Ω at 2GHz	50Ω ± 2Ω at 1GHz 50Ω ± 4Ω at 2GHz	50Ω ± 2Ω at 1GHz 50Ω ± 4Ω at 2GHz
Loss No Greater Than	3dB per 10m at 1GHz 4.5dB per 10m at 2GHz	3dB per 10m at 1GHz 4.5dB per 10m at 2GHz	3dB per 10m at 1GHz 4.5dB per 10m at 2GHz	3dB per 10m at 1GHz 4.5dB per 10m at 2GHz
Outer Diameter (mm)	5	5	5	5
Outer Jacket	Black Flexible PVC	Black Flexible PVC	Black Flexible PVC	Black Flexible PVC
Screening Braid	Tin plated copper	Tin plated copper	Tin plated copper	Tin plated copper
Inner Shield	Aluminium foil	Aluminium foil	Aluminium foil	Aluminium foil
Dielectric Insulator	White cellular polythene	White cellular polythene	White cellular polythene	White cellular polythene
Conductor	Plain copper strand	Plain copper strand	Plain copper strand	Plain copper strand
Length (m)	2	3	5	10
Connector Data				
Termination 1	SMA Plug	SMA Plug	SMA Plug	SMA Plug
Termination 2	SMA Plug	SMA Plug	SMA Plug	SMA Plug

Panorama Antennas Ltd
Frogmore, London, SW18 1HF, United Kingdom

T: +44 (0)20 8877 4444
F: +44 (0)20 8877 4477

E: sales@panorama-antennas.com
www.panorama-antennas.com

PANORAMA  ANTENNAS